







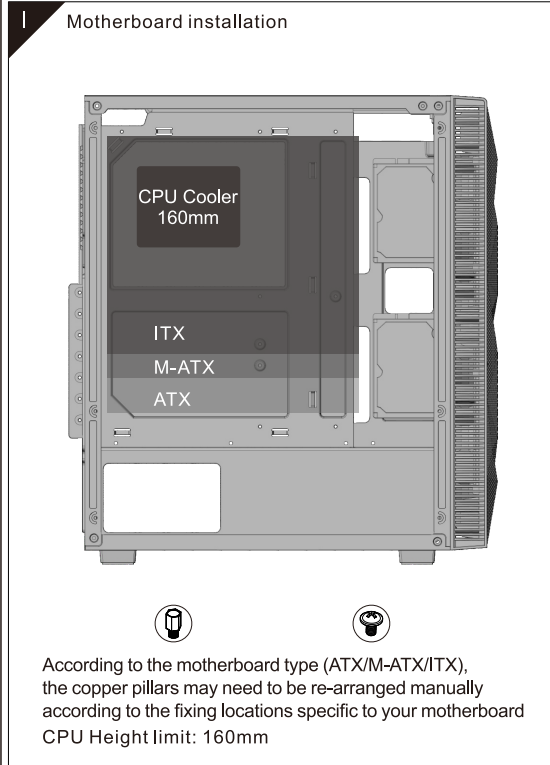
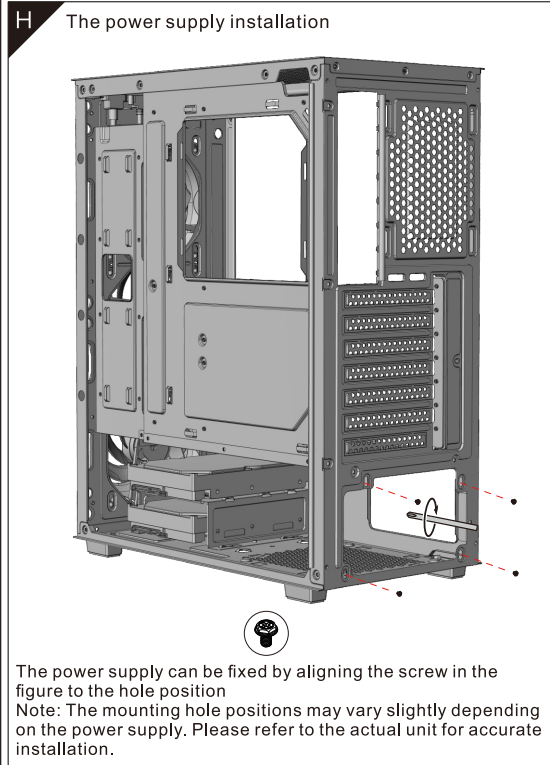
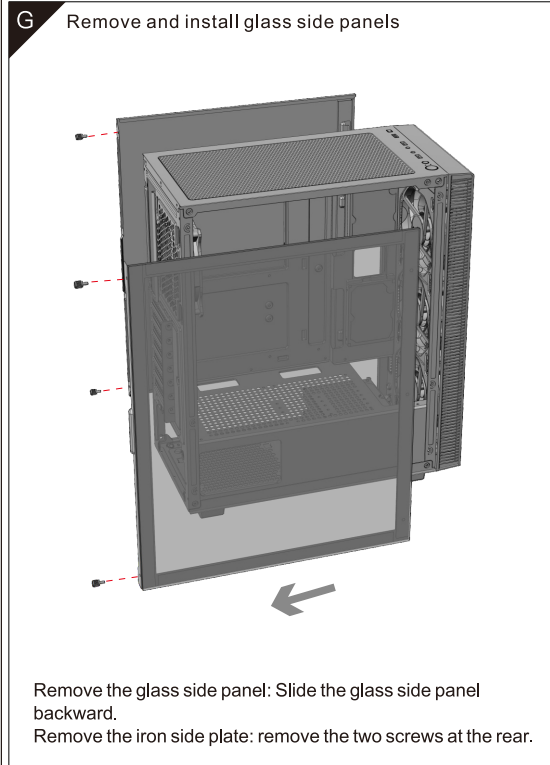
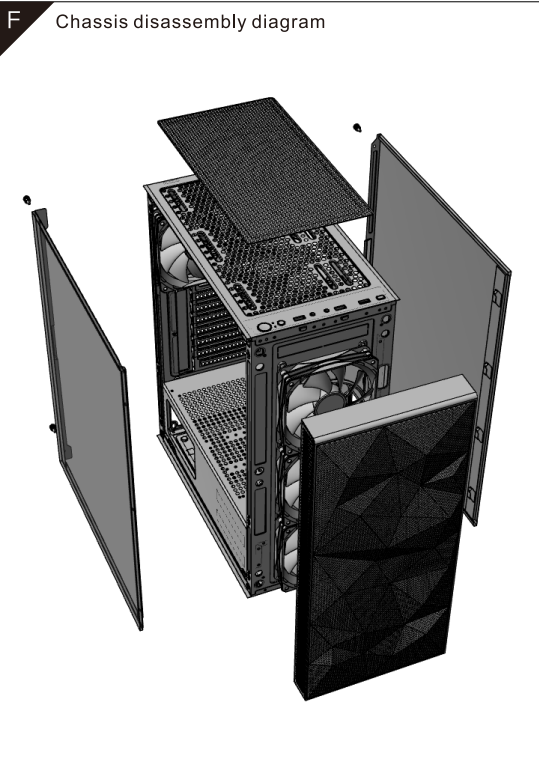
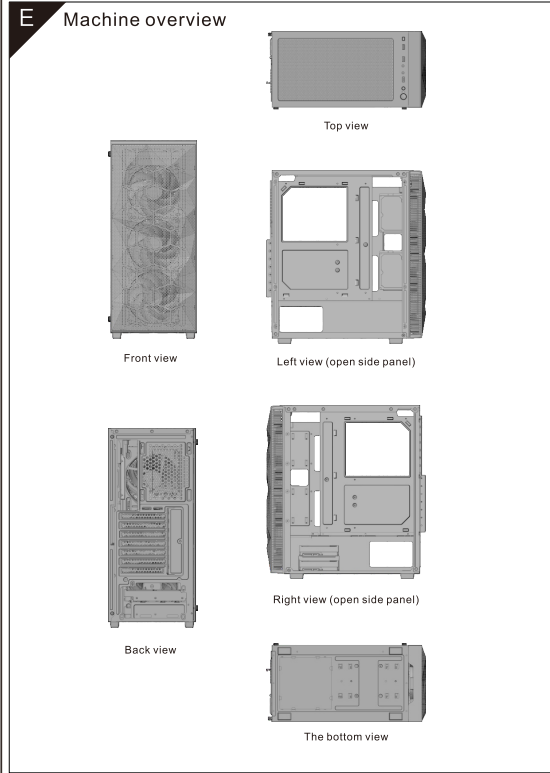
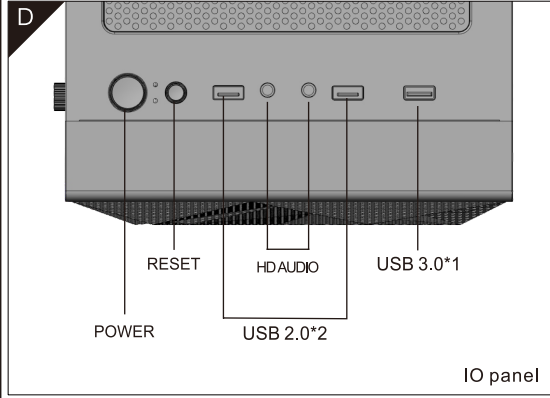
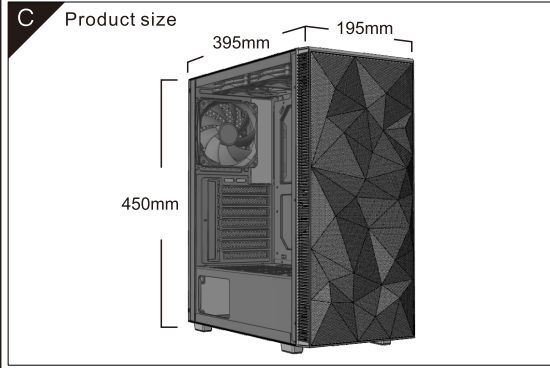
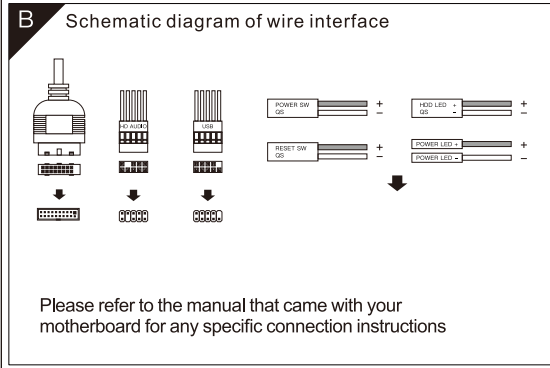


# DUTZO G331 PWM ARGB

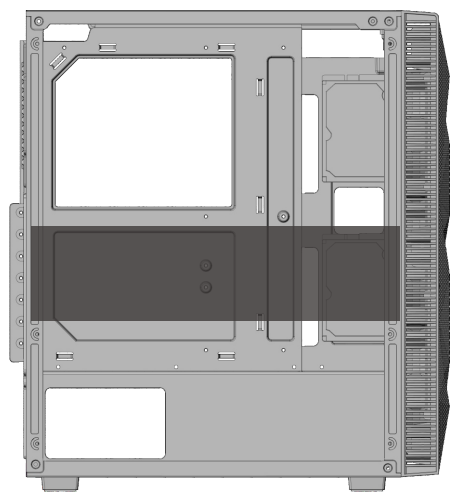
## 【operating manual】

**A Package details**

 x18	 x6	 x9
 x3	 x5	 x1

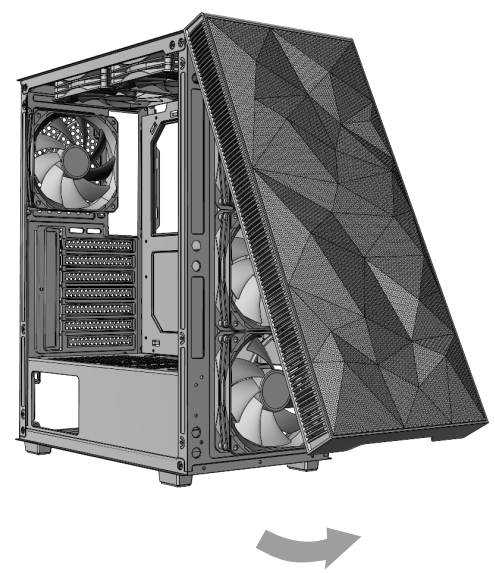


**J** The graphics card installation



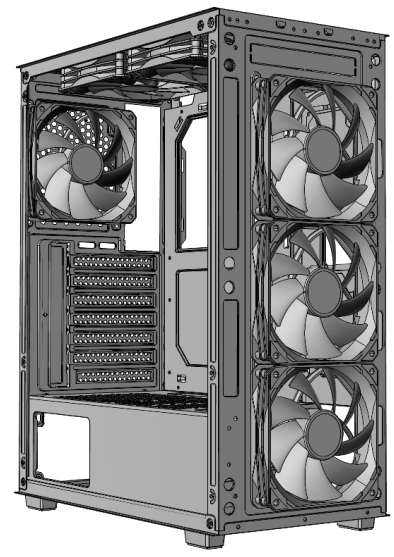
**VGA Length:** No fan can be installed 340mm, installed fan 310mm

**K** Panel disassembly



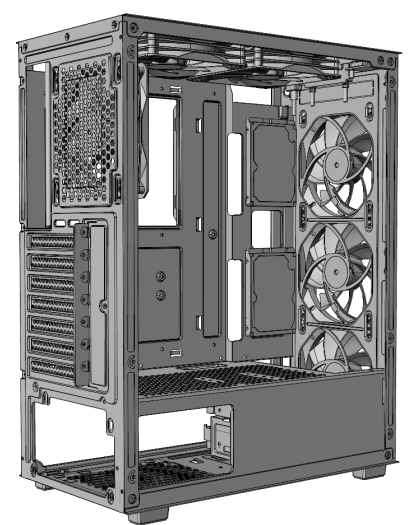
To remove the front panel of the case, pull it by hand, firmly from the bottom of the panel

**L** Fan installation



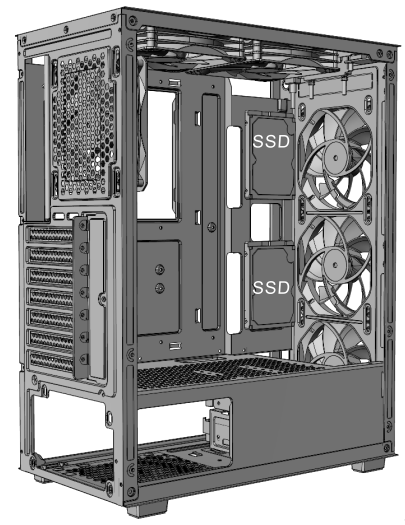
**Fan Support:** Front: 3 x 120mm  
Top: 2x 120/140mm  
Rear: 1x 120mm  
Bottom: 2x 120mm

**M** Water cooling installation



**Radiator Support:** Front: 240/360mm  
Rear: 120mm

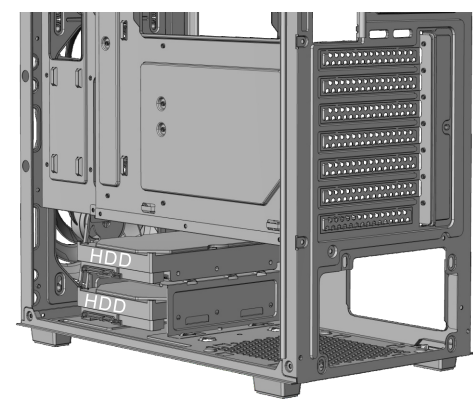
**N** SSD installation



2\*SSD

Align the screw holes of the hard disk with the hard disk bracket and fix it with special screws.

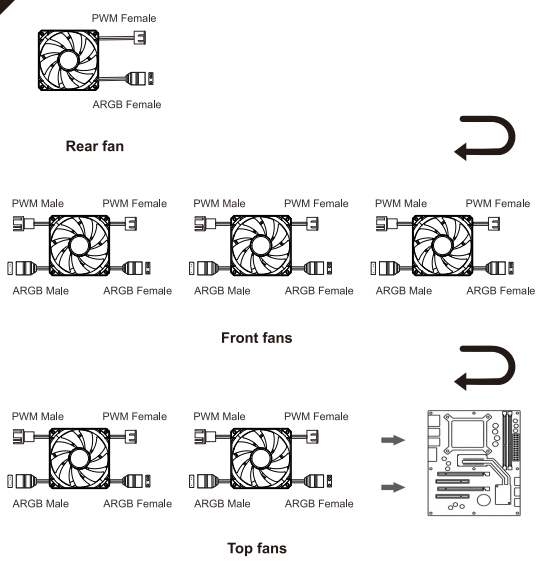
**O** HDD installation



2\*HDD

Align the screw holes of the hard disk with the hard disk bracket and fix it with special screws.

**P** Fan interface



The six fans are controllable by the motherboard software. Each fan is equipped with 4-pin PWM and 3-pin 5-V ARGB female and male connectors. They daisy chain together. The rear fan connects to the other fan with a Female ARGB 3-pin and 4-pin PWM.



RESPONSIBLE EU MANUFACTURER:  
**PROSHOP A/S**  
SLET MOELLEVEJ 17, 8270 HOEJBJERG, DENMARK  
VAT NUMBER: DK189662396

WWW.PROSHOP.COM /SUPPORT@PROSHOP.DK