







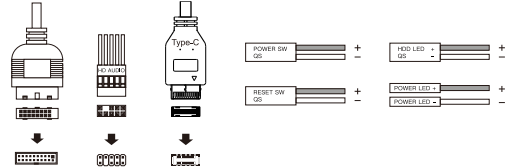
C250 Panorama ARGB

【operating manual】

A Package details

 x17	 x6	 x4
 x 2		

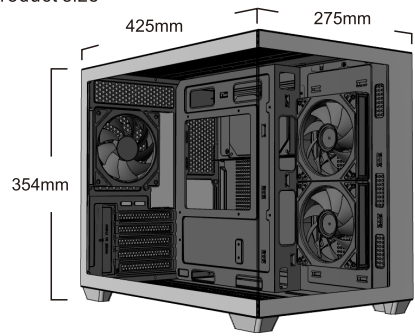
B Schematic diagram of wire interface



POWER SW
RESET SW
HD AUDIO
POWER LED
HDD LED

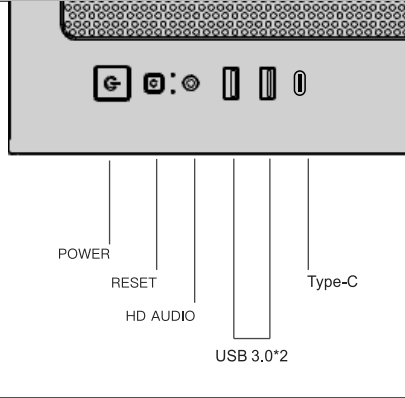
Please refer to the manual that came with your motherboard for any specific connection instructions

C Product size



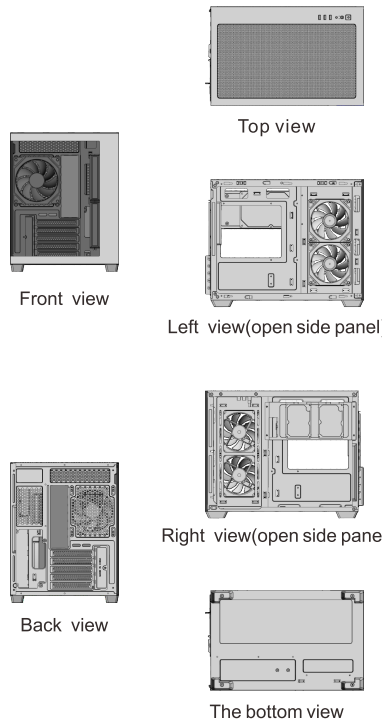
425mm
275mm
354mm

D IO panel



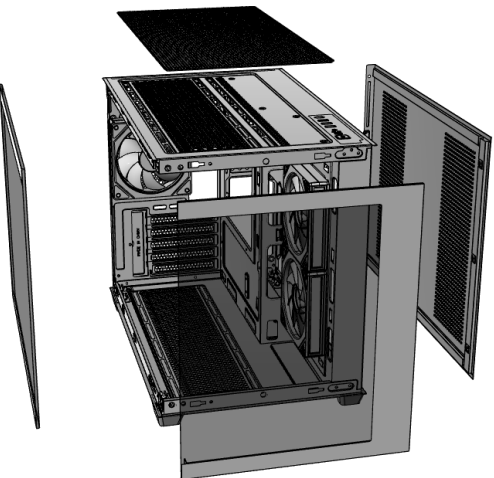
POWER
RESET
HD AUDIO
Type-C
USB 3.0*2

E Machine overview

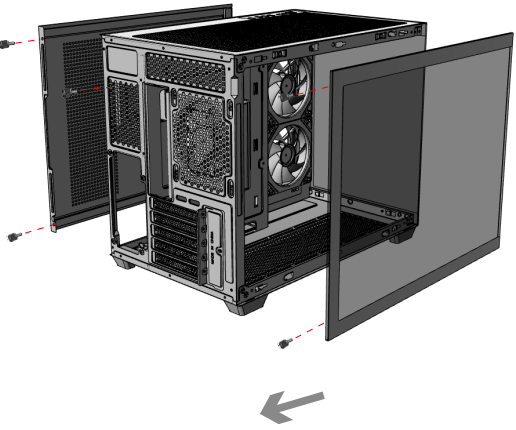


Top view
Front view
Left view(open side panel)
Right view(open side panel)
Back view
The bottom view

F Chassis disassembly diagram

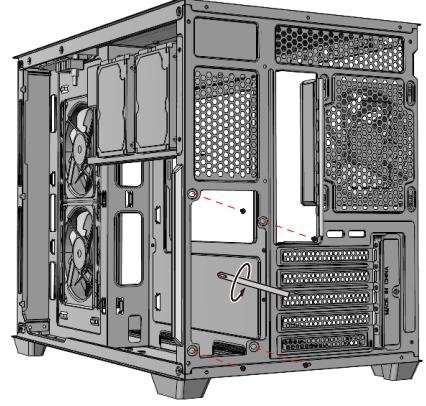


G Remove and install side panels



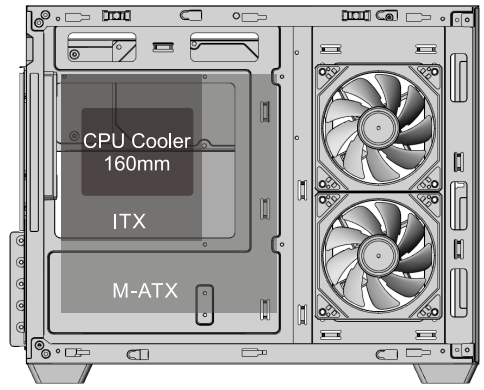
To remove the glass side panel, slide it backward. To remove the steel side panel, remove the two screws at the rear and slide the panel backward

H Power supply installation



Install the power supply by aligning it with the screw holes as shown in the figure. Note: Mounting hole positions may vary slightly depending on the power supply model; please refer to the actual unit for accurate installation.

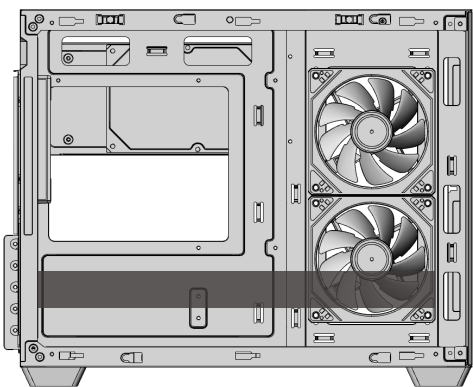
I Motherboard installation



CPU Cooler
160mm
ITX
M-ATX

According to the motherboard type (M-ATX/ITX), the copper pillars may need to be re-arranged manually according to the fixing locations specific to your motherboard
CPU Height limit: 160mm

J Graphics card installation



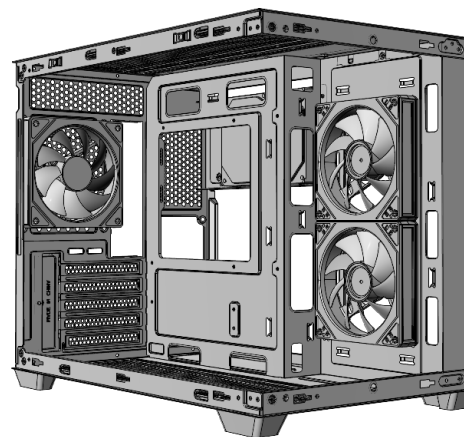
Max graphics card length: 410mm.

K Panel disassembly



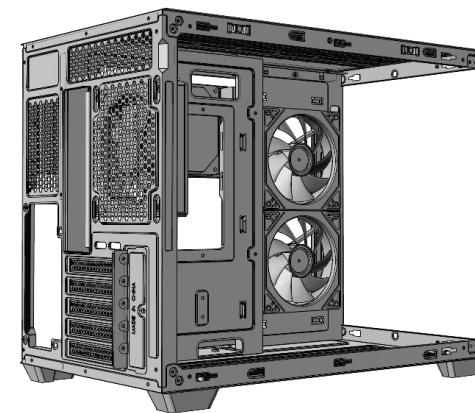
Installation: Fit the panel to the front panel and fix it with screws from the inside of the chassis
 Removal: Unscrew the screws from the inside of the chassis and remove the panel

L Fan installation



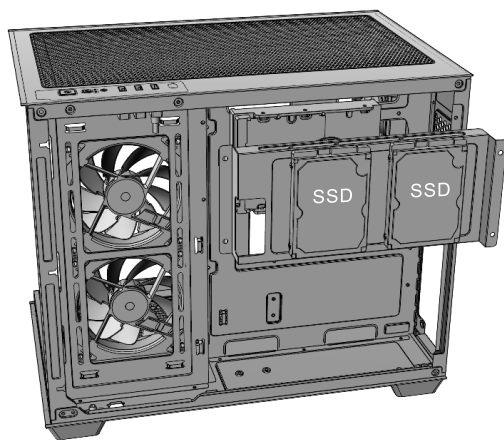
Fan Support: MB tray: 120 mm x 2 (included)
 Top: 120 mm x 3 / 140mm x 2 (optional)
 Rear: 120 mm x 1 (included)
 Bottom: 120 mm x 3 (optional)

M Water cooling installation



Water cooling: 240mm at MB tray
 360/280/240mm at Top
 360/240mm at Bottom

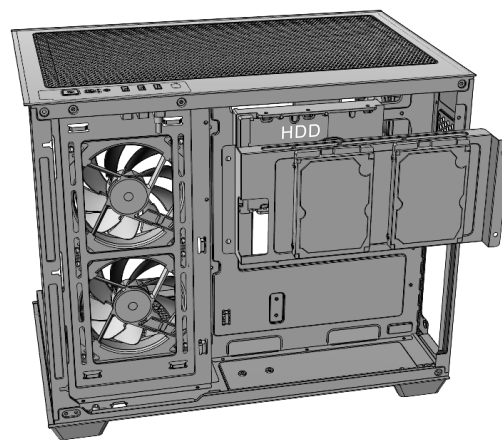
N SSD installation



SSD*2

Align the SSD holes and fix them with screws

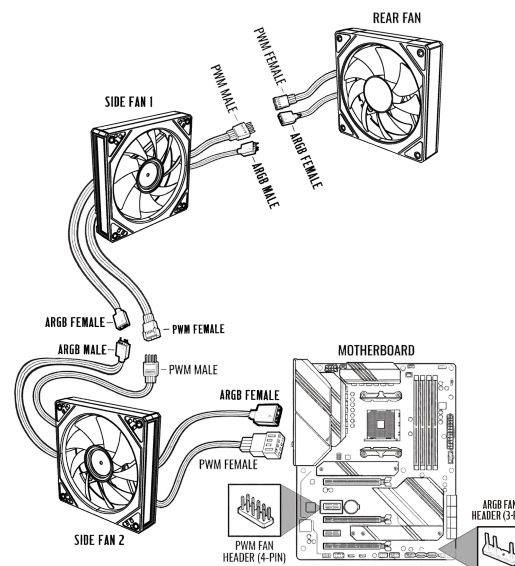
O HDD installation



HDD*1

Align the hard disk holes and fix them with HDD screws

P Fan interface



Each fan is equipped with 4-pin PWM and 3-pin 5V ARGB connectors. The fans are designed to daisy-chain together. Connect the final cables to the corresponding 4-pin PWM and 3-pin ARGB headers on your motherboard. The four fans can be controlled via motherboard software.



RESPONSIBLE EU MANUFACTURER:
PROSHOP A/S
 SLET MOELLEVEJ 17, 8270 HOEJBJERG, DENMARK
 VAT NUMBER: DK189662396

WWW.PROSHOP.COM /SUPPORT@PROSHOP.DK