







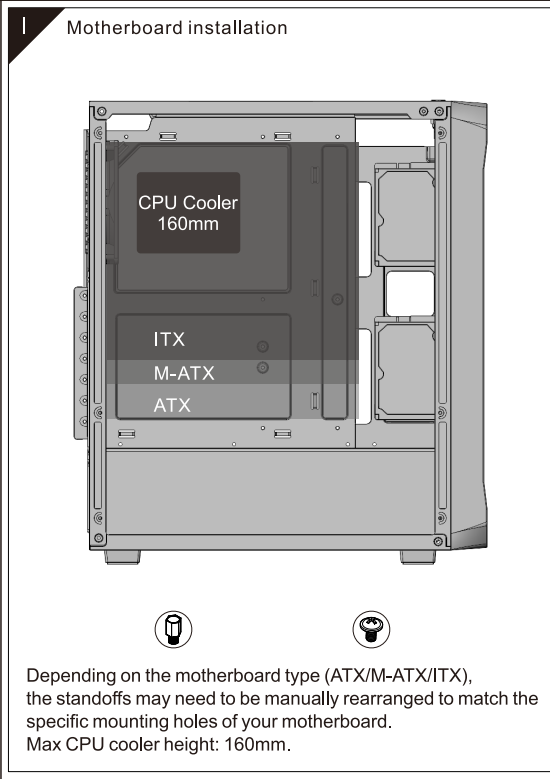
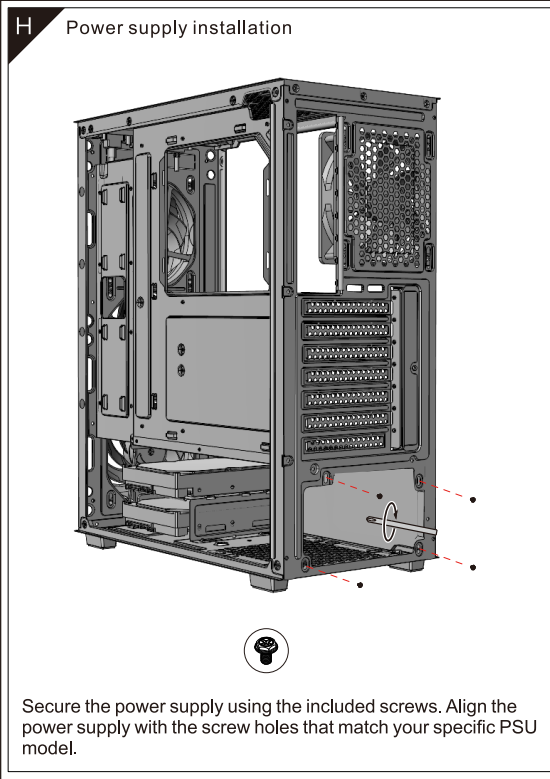
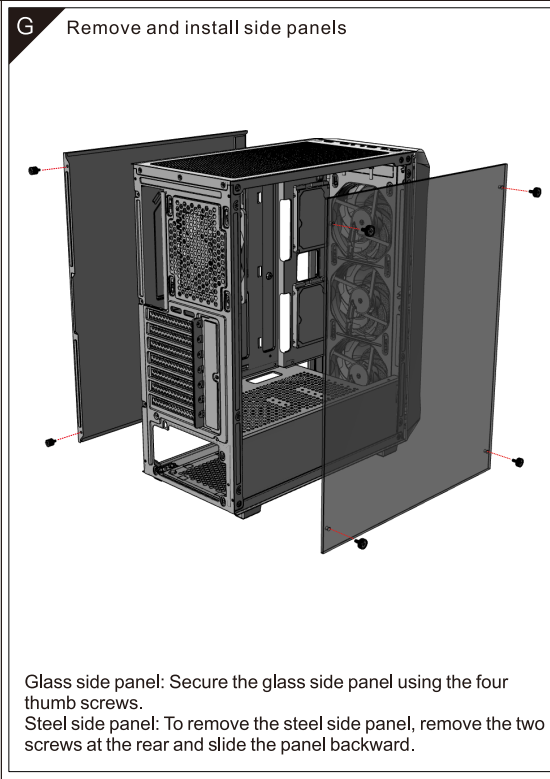
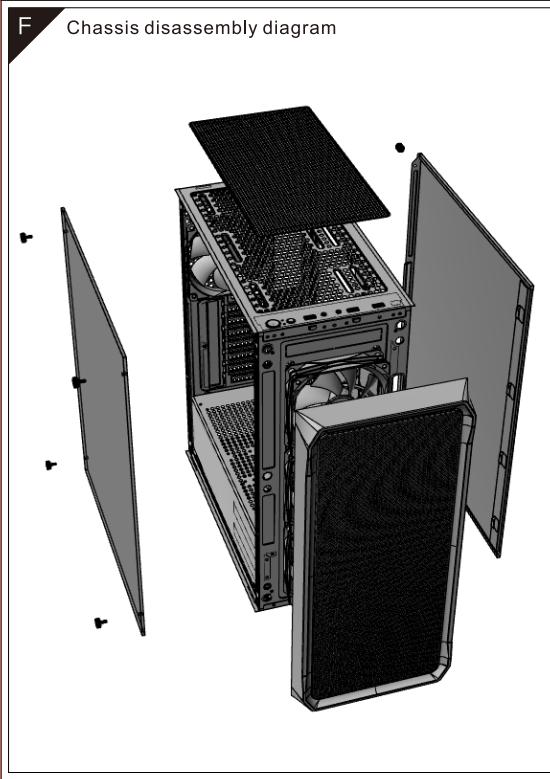
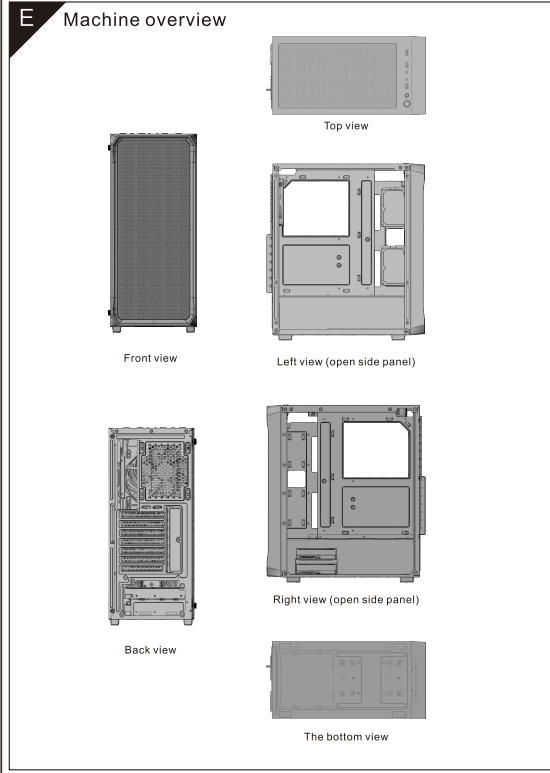
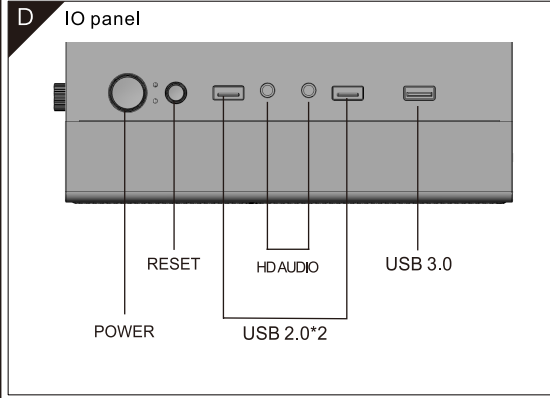
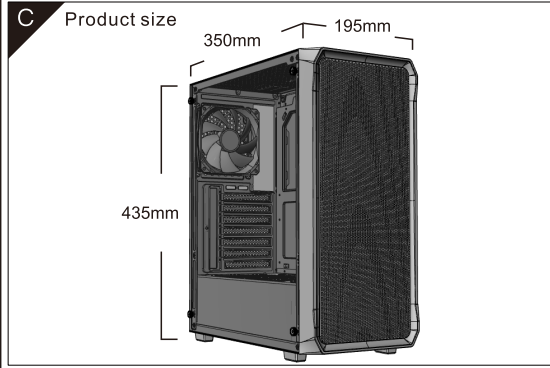
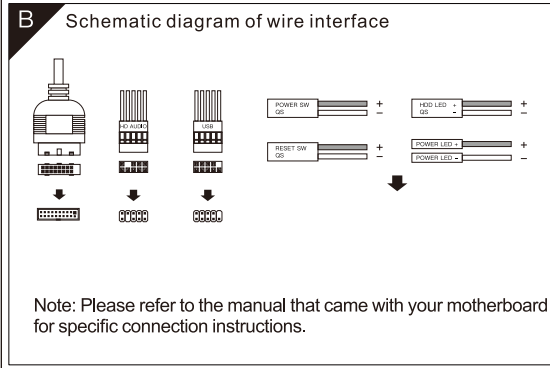


DUTZO C322 MESH ARGB

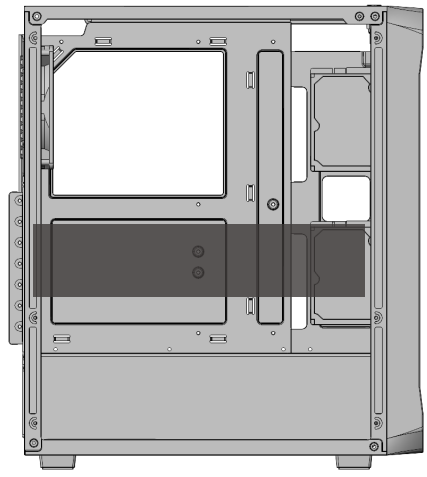
Manual

A Package details

 x18	 x6	 x9
 x3	 x5	 x1
Motherboard screws	Power supply screws	HDD screws
Standoffs	Cable ties	Lock pocket

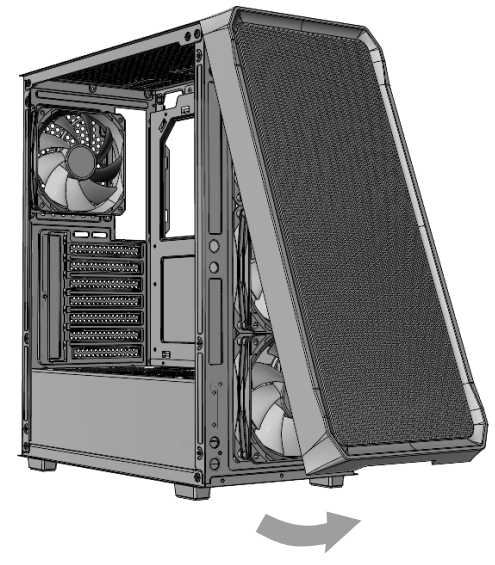


J The graphics card installation



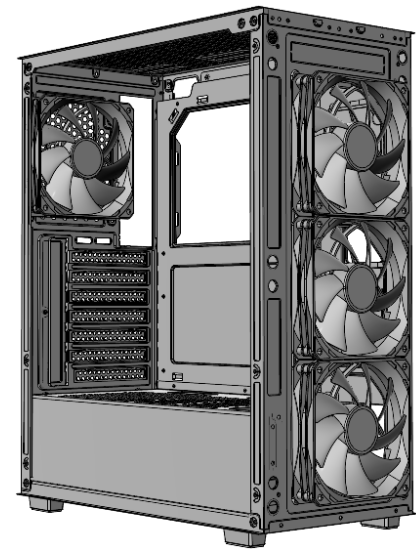
Max Graphics card length: 340mm
(310mm if front fans are installed).

K Panel disassembly



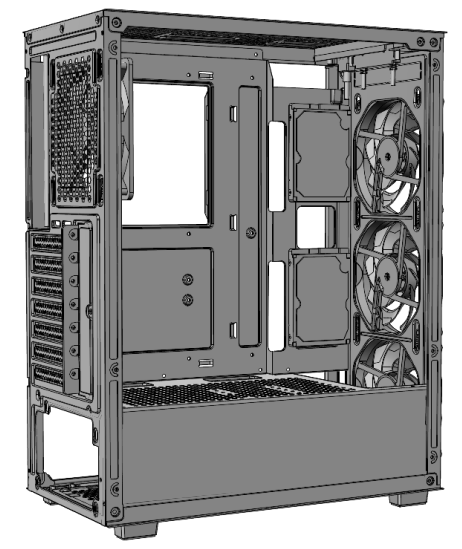
The front glass panel is secured by clips.
Pull firmly from the bottom to remove it.

L Fan installation



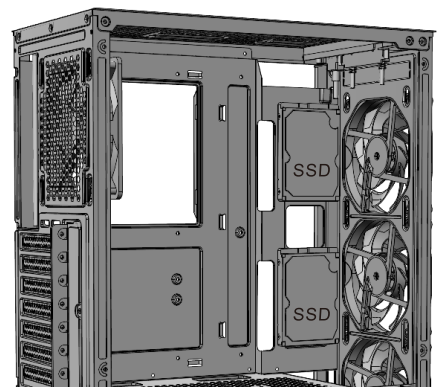
Fan Support: Front: 3x 120mm
Rear: 1x 120mm
Top: 2x 120/140mm
Bottom: 2x 120mm

M Water cooling installation



Radiator Support: Front: 240/360mm
Rear: 120mm

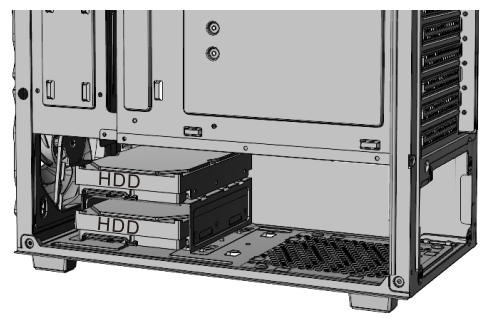
N SSD installation



2*SSD

Align the screw holes of the SSD with the bracket and secure it using the provided SSD screws.

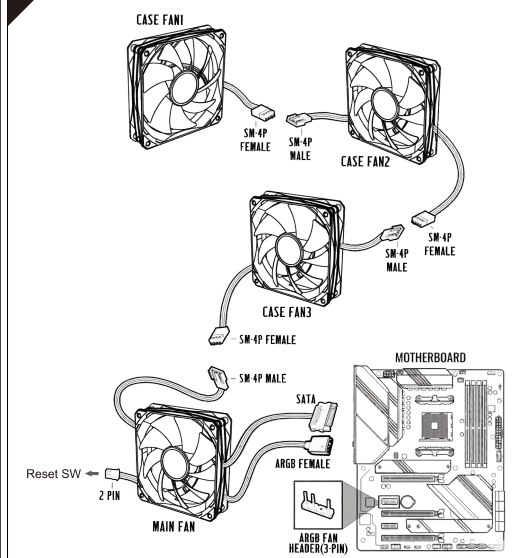
O HDD installation



2*HDD

Align the screw holes of the HDD with the drive cage and secure it using the provided HDD screws.

P Fan interface



Fans daisy-chain via SM-4P connectors. Connect the main fan's SATA cable to the PSU.
Recommended: Connect to the 3-pin 5V ARGB header for motherboard software control.
Backup: If your motherboard lacks ARGB, connect the 2-pin connector to the RESET SW cable to toggle lighting via the PC's reset button.



RESPONSIBLE EU MANUFACTURER:
PROSHOP A/S
SLET MOELLEVEJ 17, 8270 HOEJBJERG, DENMARK
VAT NUMBER: DK189662396

WWW.PROSHOP.COM/SUPPORT@PROSHOP.DK