







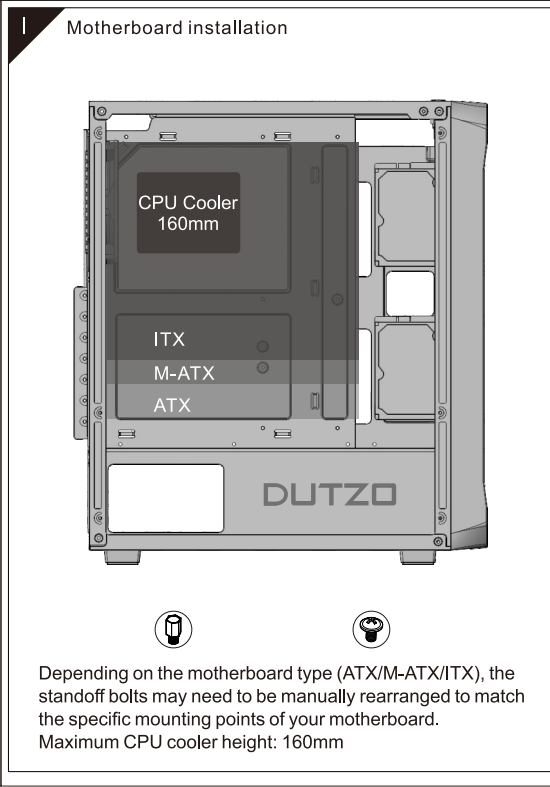
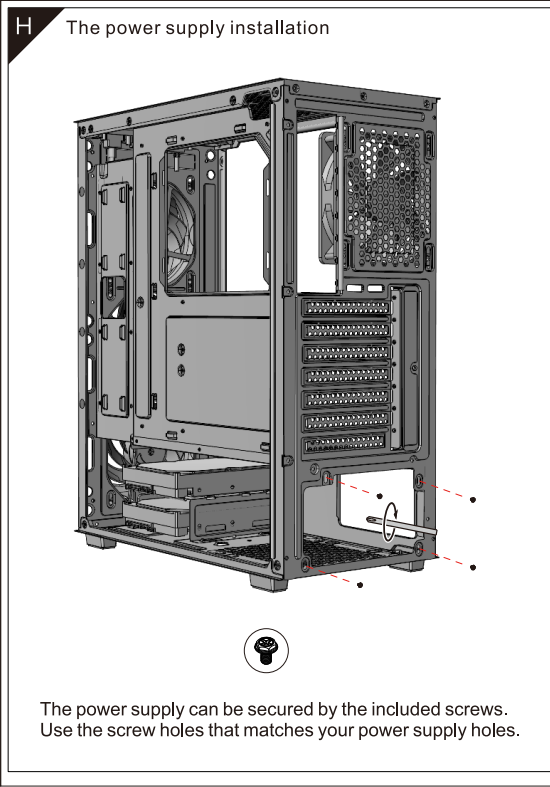
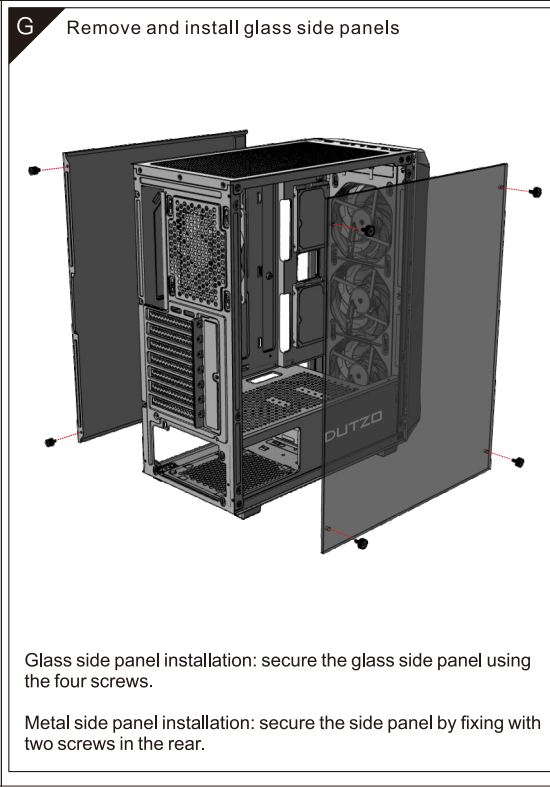
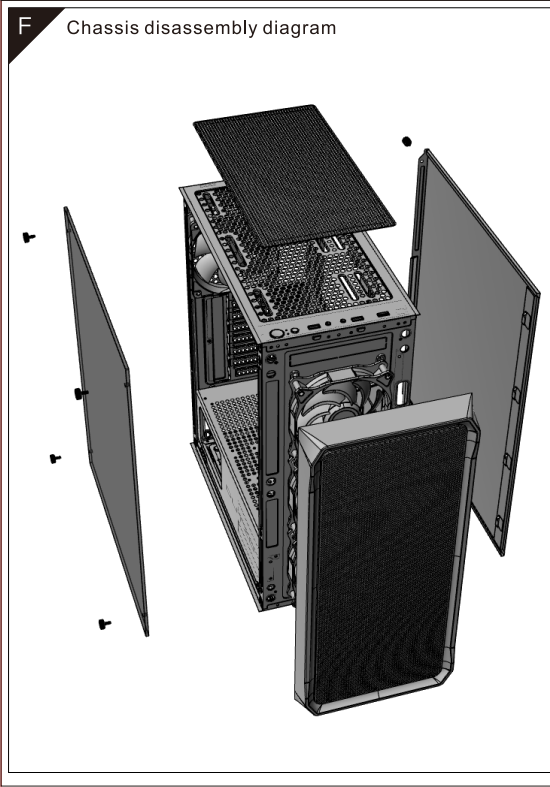
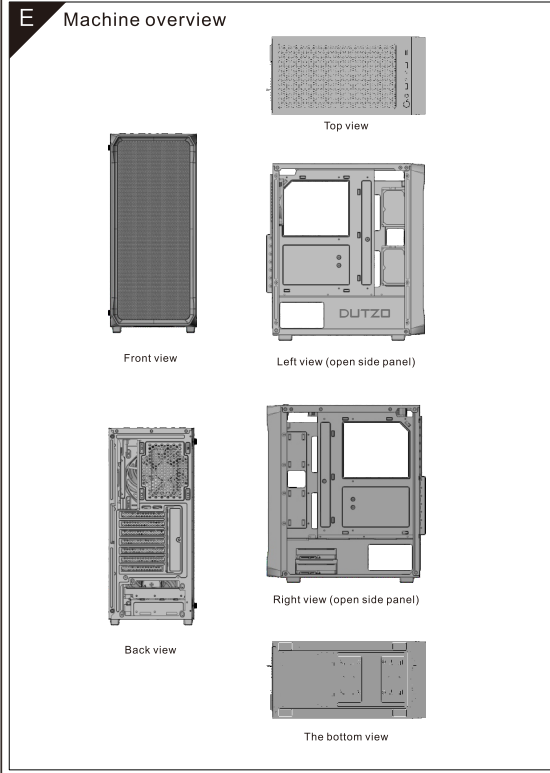
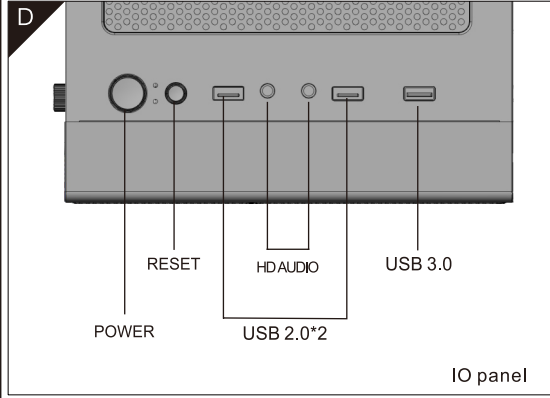
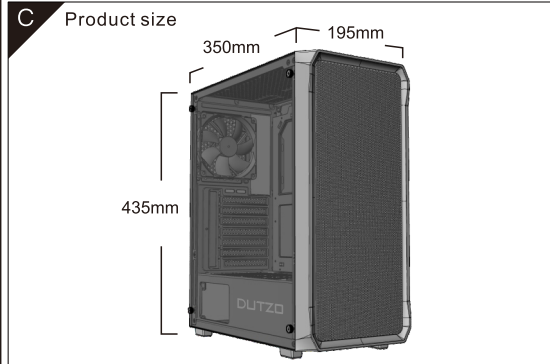
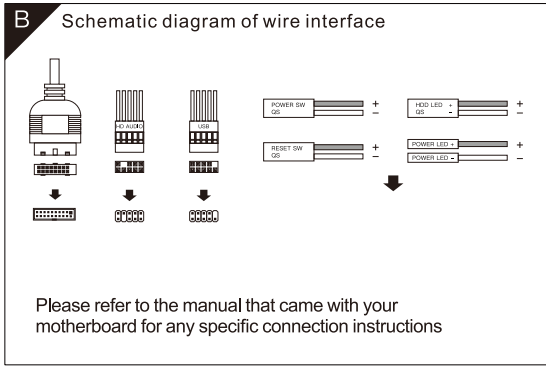


DUTZO C321 Mesh TG ARGB

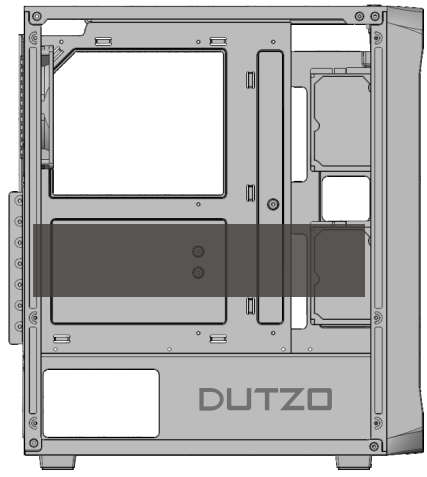
Manual

A Package details

 x18	 x6	 x9
 x3	 x5	 x1
Motherboard screws	Power supply screws	HDD screws
Stand off bolt (spare parts)	Cable ties	Lock pocket

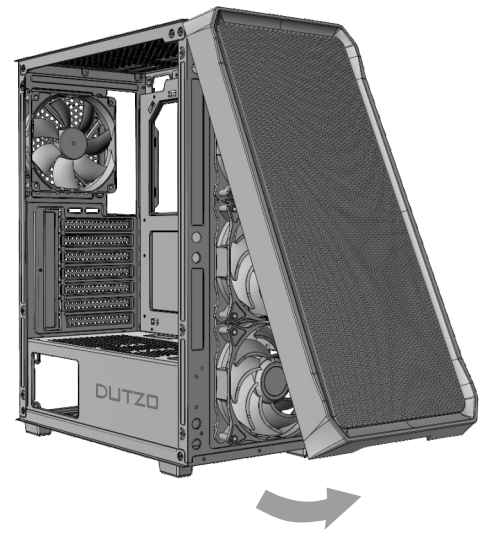


J The graphics card installation



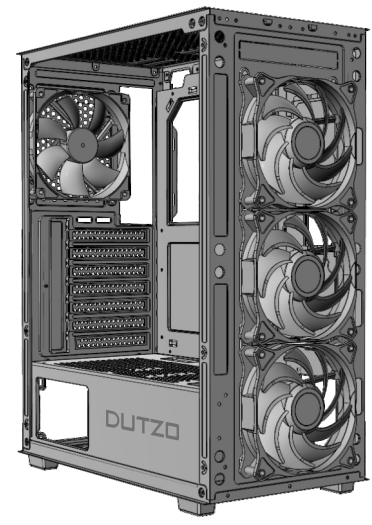
VGA Length: Without fans up to 340mm.
With fans up to 310mm.

K Panel disassembly



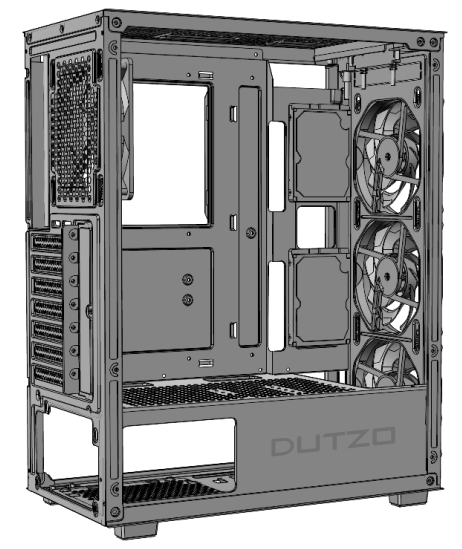
The front glass panel is fixed by using clips. Pull it to remove.

L Fan installation



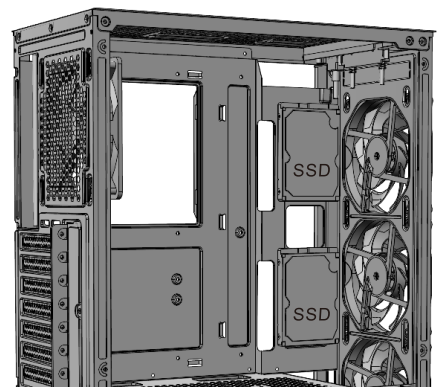
Fan Support: Front: 3x 120mm (included)
Rear: 1x 120mm (included)
Top: 2x 120/140mm
Bottom: 2x 120mm

M Water cooling installation



Radiator Support: Front: 240/360mm
Rear: 120mm

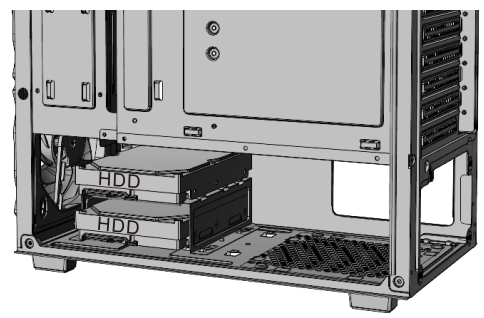
N SSD installation



2*SSD

Align the screw holes of the SSD with the hard disk bracket and secure it with the included HDD screws.

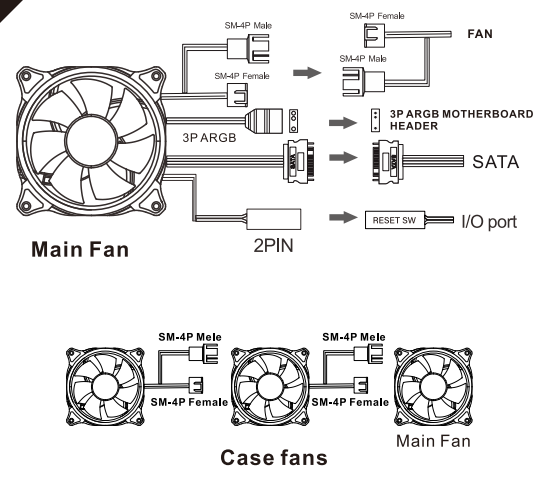
O HDD installation



2*HDD

Align the screw holes of the hard disk with the hard disk bracket and secure it with the included HDD screws.

P Fan interface



The case includes four fans. The three front fans are ARGB fans are daisy chained by connecting SM-4P female with male connectors. The main fan (top front fan) has connections for the motherboard and power supply. The rear black fan connects to the motherboard SYS FAN header.

- 1.Connect the SATA cable to a SATA cable from the power supply
- 2.If your motherboard features a 3-pin 5V ARGB header we recommend connecting to this. If your motherboard is not equipped with ARGB header you can connect the fan to the case front RESET SW cable.



RESPONSIBLE EU MANUFACTURER:
PROSHOP A/S
 SLET MOELLEVEJ 17, 8270 HOEJBJERG, DENMARK
 VAT NUMBER: DK189662396

WWW.PROSHOP.COM / SUPPORT@PROSHOP.DK