






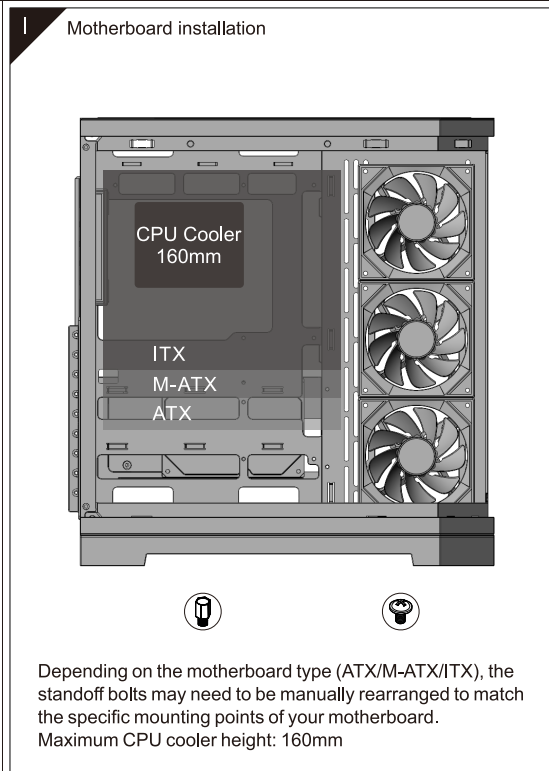
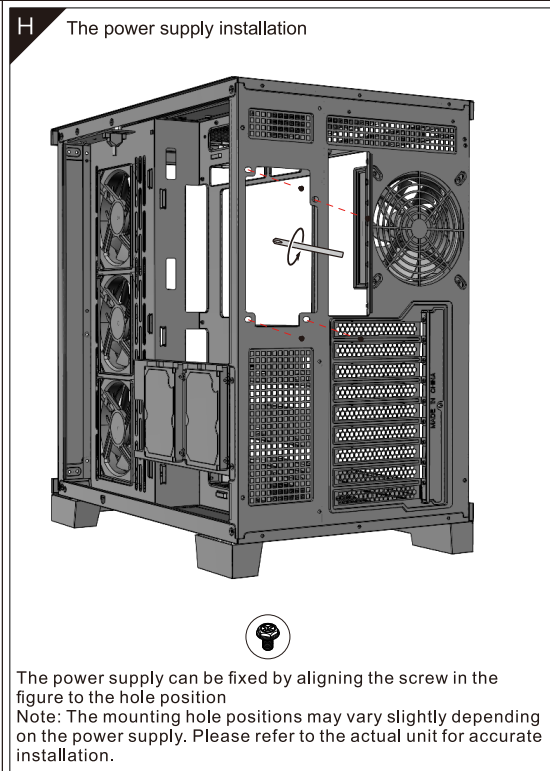
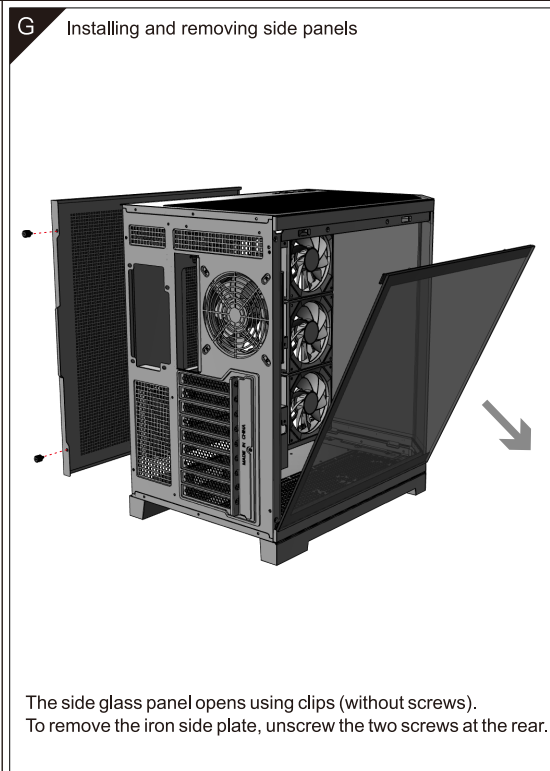
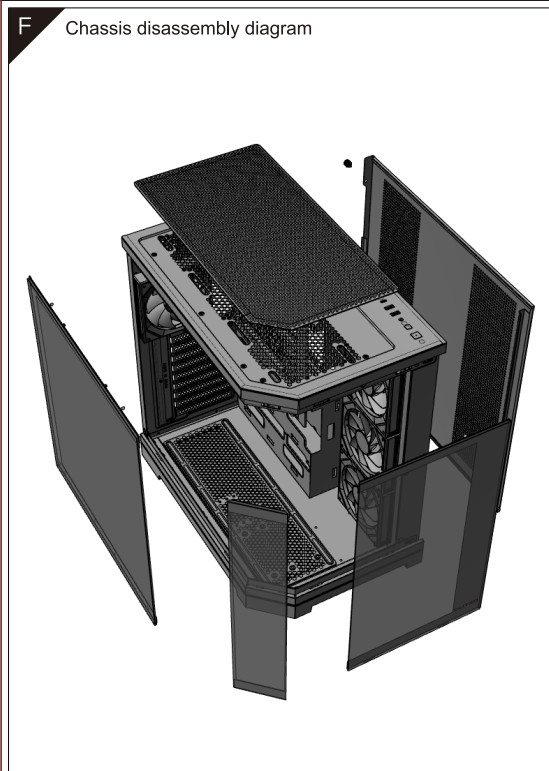
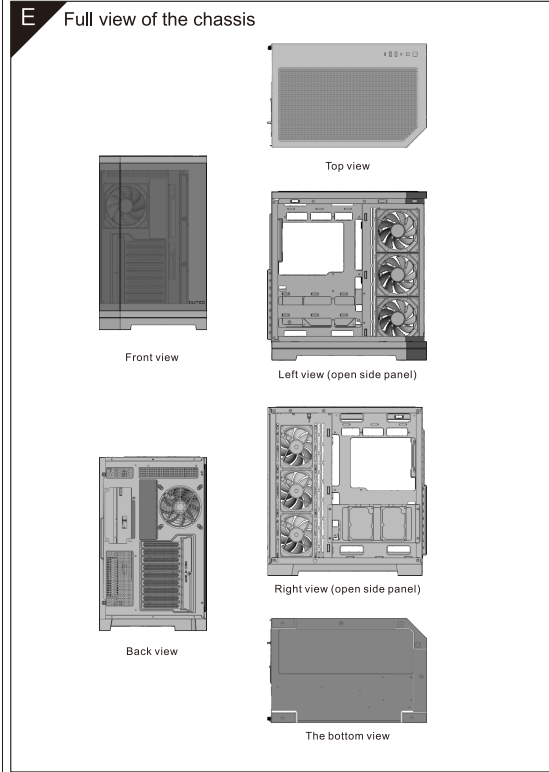
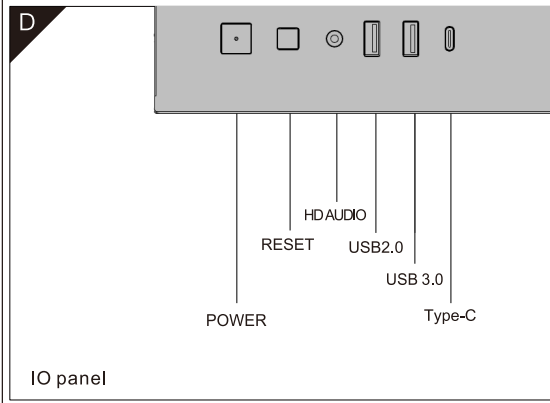
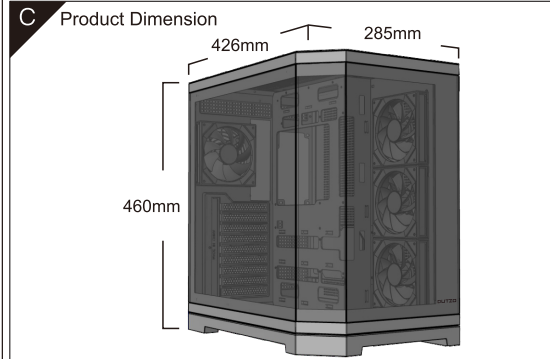
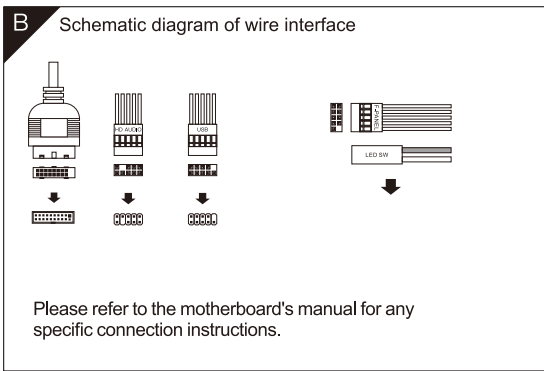


DUTZO C831 Panorama ARGB

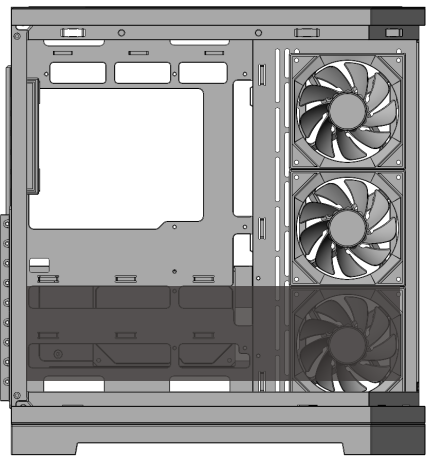
Manual

A Package details

 x18	 x6	 x9
Motherboard screws	Power supply screws	HDD screws
 x3	 x5	
Stand off bolt (spare parts)	Cable ties	

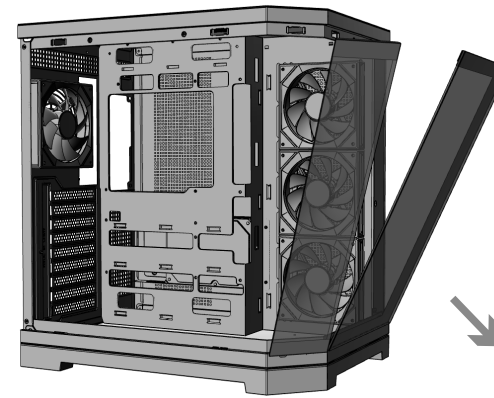


J Graphics card supported length



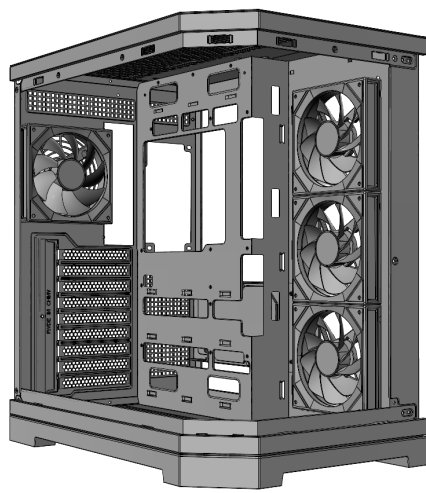
Max Length: 410mm

K Front panel



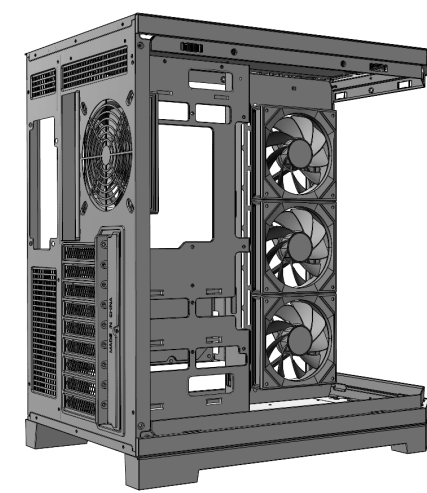
The front glass panel is fixed by using clips. Pull it to remove.

L Fan installation



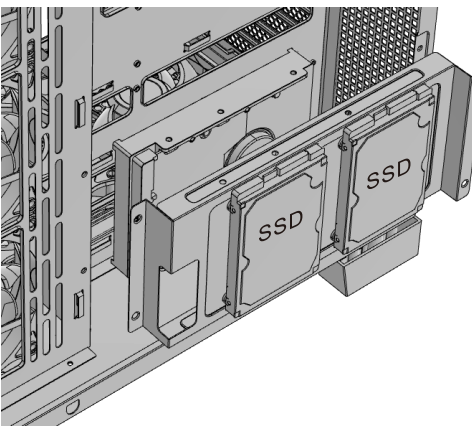
Fan Support: Side: 3x 120mm
Top: 3x 120mm
Rear: 1x 120mm
Bottom: 3x 120mm

M Water cooling installation



Radiator Support: Side: 360mm
Top: 360mm
Bottom: 360mm

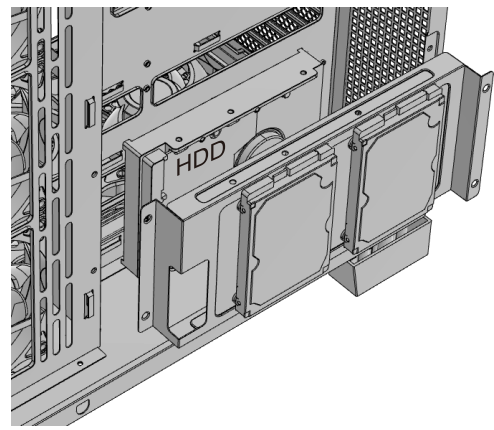
N SSD installation



SSD*2

Use screws to secure the SSD to the cover

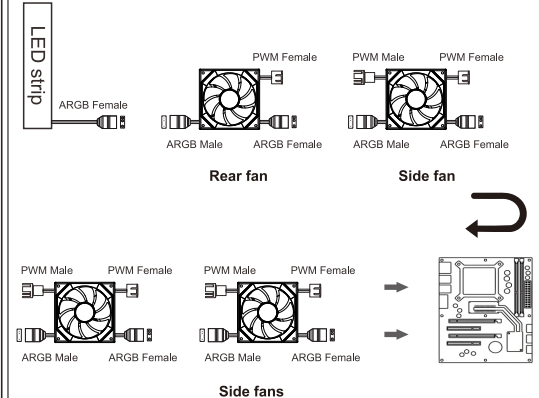
O HDD installation



HDD*1

Push the hard disk into the hard disk rack and secure it with screws

P Fan interface



The four fans and ARGB strip are controllable by the motherboard software. Each fan is equipped with 4-pin PWM and 3-pin 5-V ARGB female and male connectors. They daisy chain together. The rear fan connects to the LED Strip with a male ARGB 3-pin.



DUTZO

RESPONSIBLE EU MANUFACTURER:
PROSHOP A/S
SLET MOELLEVEJ 17, 8270 HOEJBJERG, DENMARK
VAT NUMBER: DK189662396

WWW.PROSHOP.COM /SUPPORT@PROSHOP.DK