




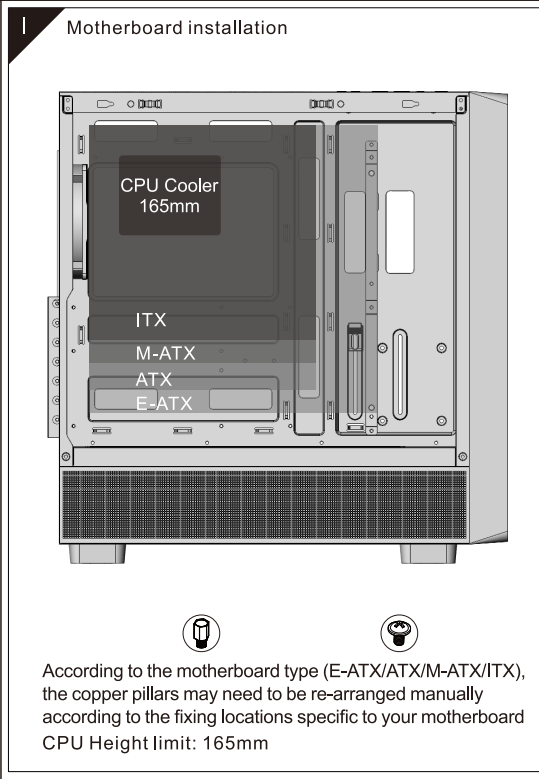
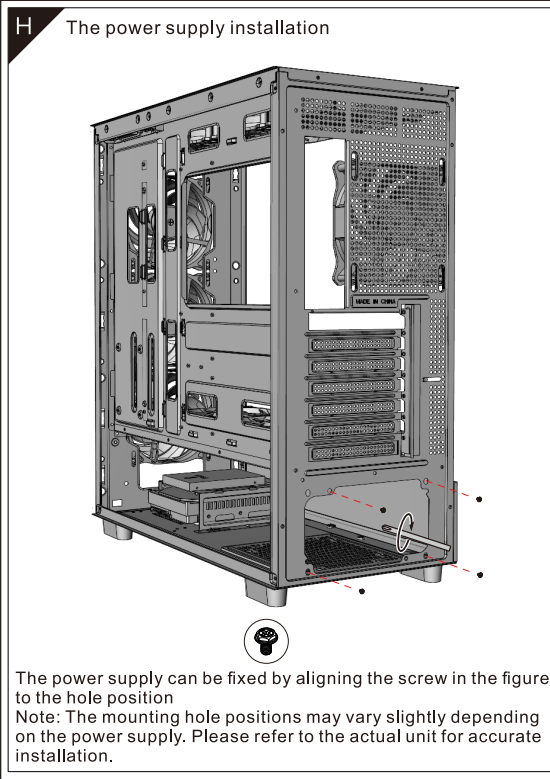
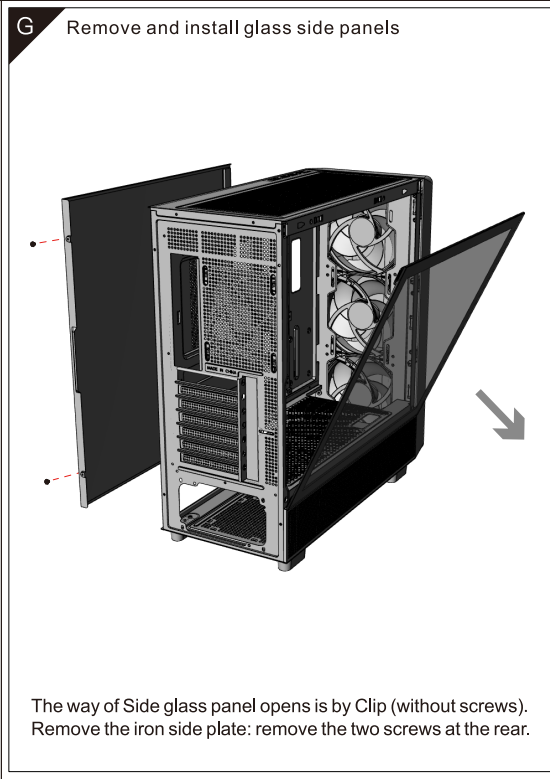
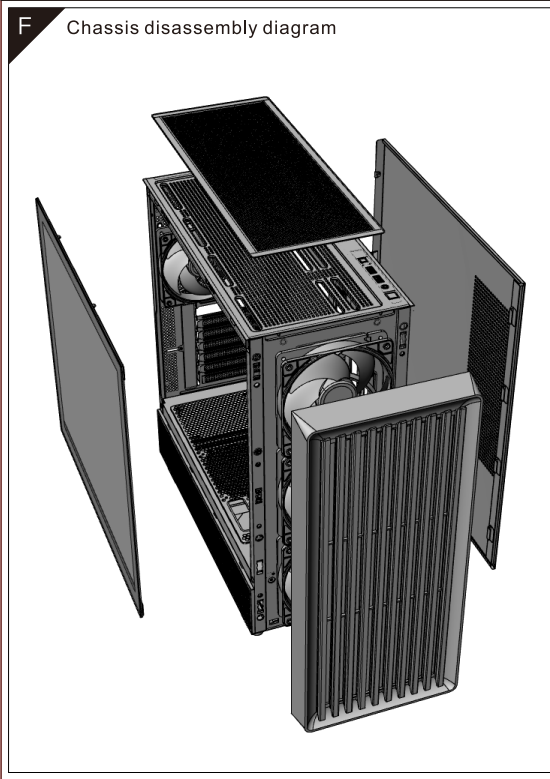
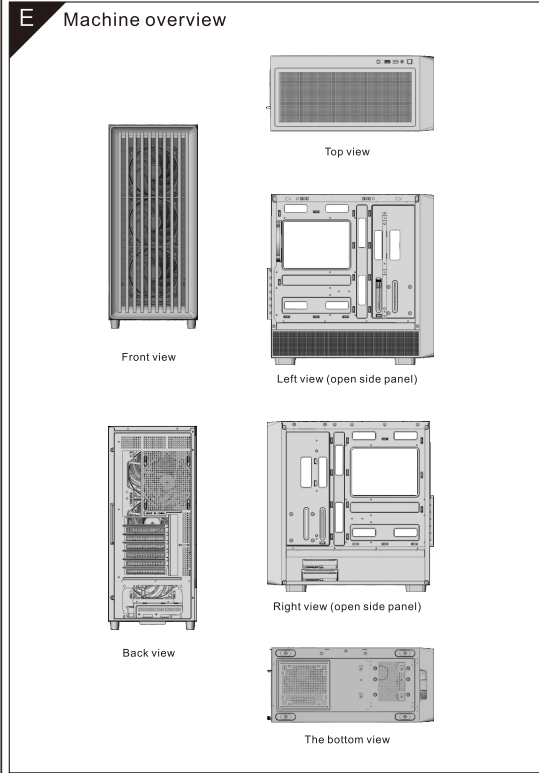
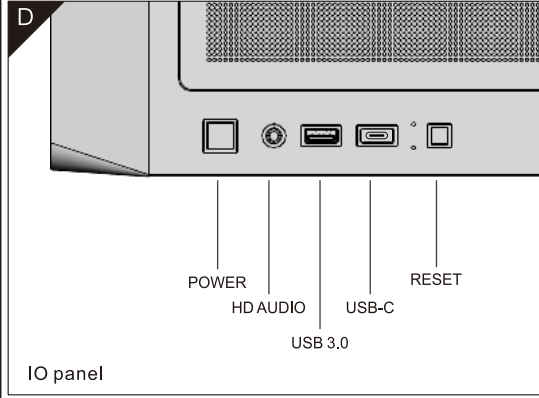
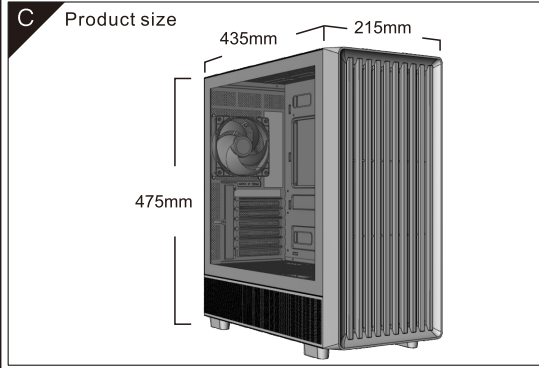
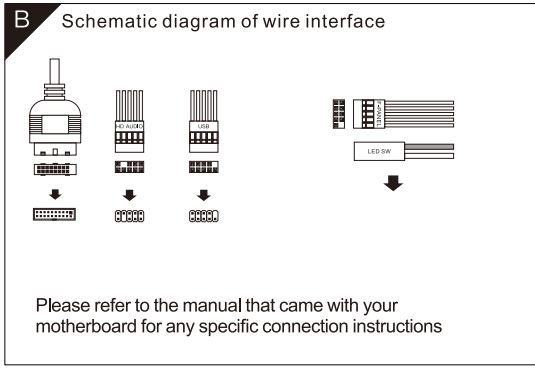




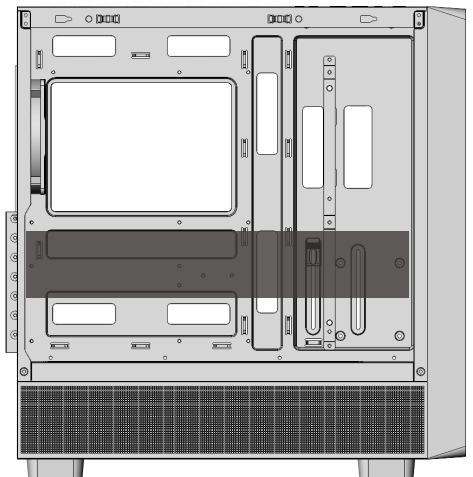
DUTZO C740 Wood Airflow Manual

A Package details

 x12	 x12	 x8
 x3	 x5	
Motherboard screw	The power screw	HDD screw
Copper pillar	Cable Tie	



J The graphics card installation



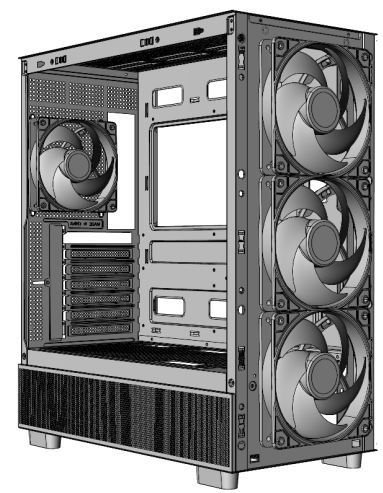
Max Length: 420mm

K Panel disassembly



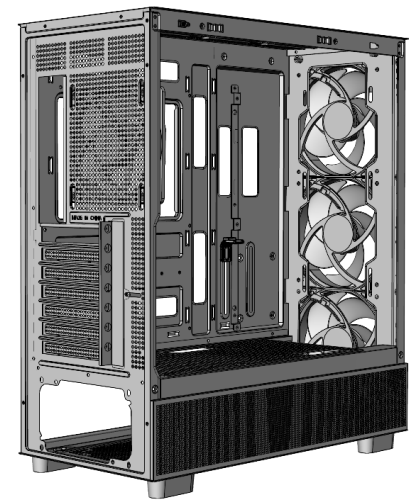
To remove the front panel of the case, pull it by hand, firmly from the bottom of the panel

L Fan installation



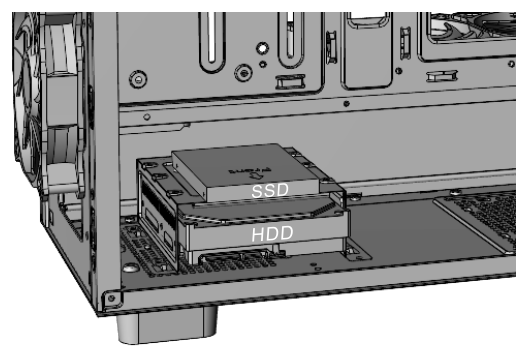
Fan Support: Front: 3 x 120/140mm
Top: 3 x 120/ 2 x 140mm
Rear: 1 x 120mm
Bottom: 2 x 120mm

M Water cooling installation



Radiator Support: Top: 280/360mm
Front: 240/360mm

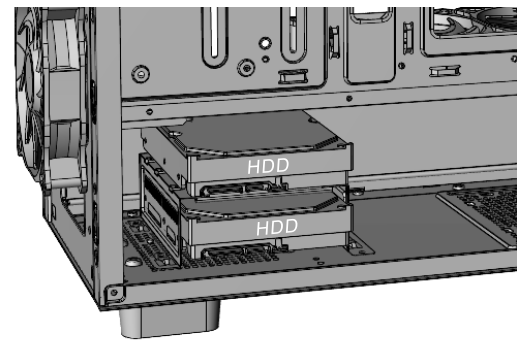
N SSD installation



1*SSD
1*HDD

Align the screw holes of the hard disk with the hard disk bracket and fix it with special screws.

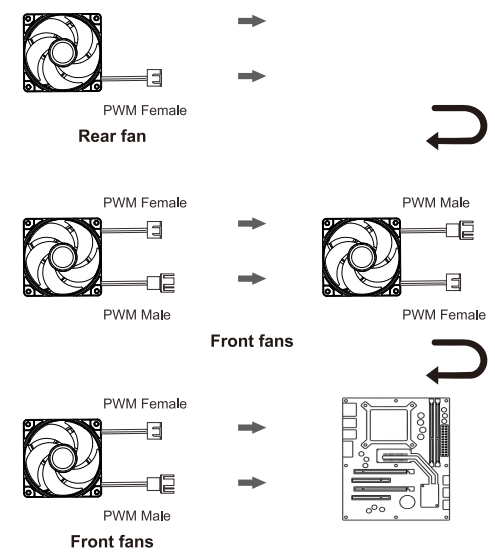
O HDD installation



2*HDD

Align the screw holes of the hard disk with the hard disk bracket and fix it with special screws.

P Fan interface



The four fans are controllable by the motherboard software. Each fan is equipped with 4-pin PWM female and male connectors. They daisy chain together. The rear fan connects to the other fan with a 4-pin PWM.



RESPONSIBLE EU MANUFACTURER:
PROSHOP A/S
SLET MOELLEVEJ 17, 8270 HOEJBJERG, DENMARK
VAT NUMBER: DK189662396

WWW.PROSHOP.COM/SUPPORT@PROSHOP.DK